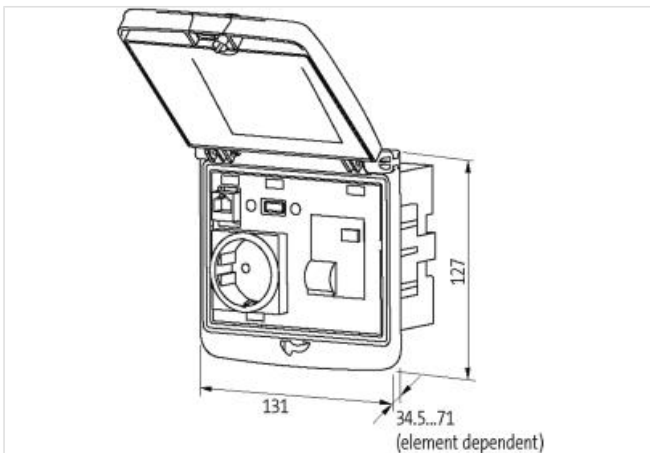
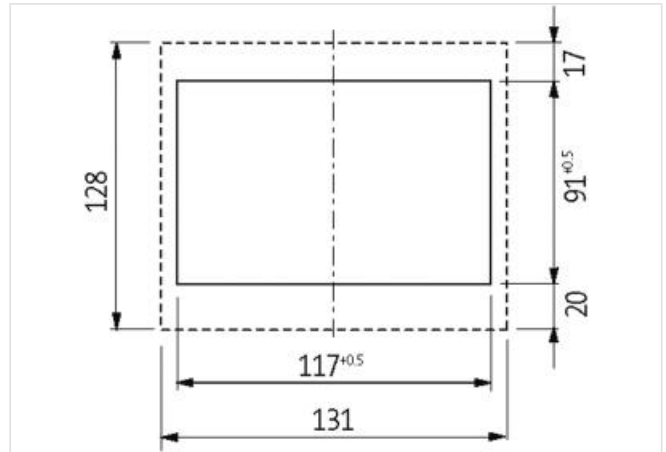


**MODLINK MSDD FRAME DBL TRANSPARENT**

Closure Daimler

Frame: plastic PA black  
 Lid: plastic, PC transparent  
 Closure: Daimler

[Link to Product](#)**Illustration**

Product may differ from Image

**General data**

Dimensions H×W×D 127×66×43 mm

**Classifications**

ECLASS-6.0	27189217
ECLASS-6.1	27189260
ECLASS-7.0	27189260
ECLASS-8.0	27189260

ECLASS-9.0	27189260
ECLASS-10.1	27182810
ECLASS-11.1	27182810
ECLASS-12.0	27182810
ETIM-5.0	EC002625

**Frame**

Housing	Frame: plastic PA black, cap: plastic PC transparent
Temperature range	-30...+70 °C (storage temperature -30...+80 °C)
Protection	IP65
suitable for mounting with wall thickness	1...5 mm

**Commercial data**

customs tariff number	85389099
GTIN	4048879388733
Packaging unit	1