

MVK-MPNIO DIO12 DIO4/IOL4 M12L 5P

ProfiNet, Compact module, metal

Digital inputs/outputs

DIO12 DIO4/IOL4 (IRT)

Ethernet 10/100 Mbit/s; M12, D-coded

M12 Power, 5-pole, L-coded

M12, 5-pole, A-coded

IO-Link Master V1.1.2

Connection cables are in the online shop under "Connection Technology".

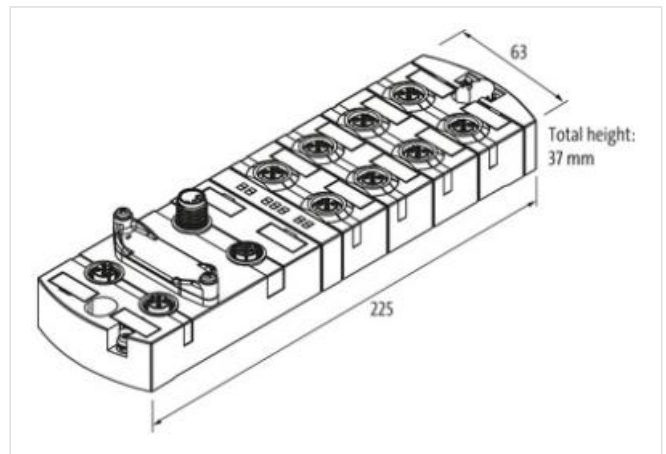
Housing fully potted.

Link to Product

Illustration



Product may differ from Image



Commercial data

ECLASS-6.0	27242604
ECLASS-6.1	27242604
ECLASS-7.0	27242604
ECLASS-8.0	27242604
ECLASS-9.0	27242604
ECLASS-10.1	27242604
ECLASS-11.1	27242604
ECLASS-12.0	27242604
ETIM-5.0	EC001599
customs tariff number	85389099
GTIN	4048879778701
Packaging unit	1

Output

Lamp load	10 W
Actuator supply UA	24 V DC (EN 61131-2), max. 9 A
Switching current per output	max. 1.6 A (short-circuit and overload protected)

Connections

The information in this Product-PDF has been compiled with the utmost care.

Liability for the correctness completeness and topicality of the information is restricted to gross negligence. Version: 2023-10-03

Murrelektronik Inc. | 1327 Northbrook Parkway, Suite 460 | Suwanee, GA 30024 | Fon +1 770 497-9292 | Fax +1 770 497-9391 | janko.strauss@best4automation.com | shop.murrinc.com

Fieldbus	Ethernet 10/100 Mbit/s; M12, D-coded
Sensor-system/actuator supply	M12 Power, 5-pole, L-coded, 2× max. 16 A
I/O ports	M12, 5-pole, A-coded
Input	
Sensor supply US	24 V DC (EN 61131-2), max. 200 mA (M12 female)/max. 1 A (IO-Link female), short-circuit and overload protected
Type	for 3-wire sensors or mechanical switches, PNP, IO-Link Devices
General data	
Mounting method	2-hole screw mounting
Temperature range	-25...+60 °C (storage temperature -25...+70 °C)
Protection	IP67
Dimensions H×W×D	37×63×225 mm
Parameterization	
PIN 4	Input/Output (port X0...X7); IO-Link Master (port X4...X7)
PIN 2	Input/Output (port X0...X7); U-Actuator IO-Link Class B (port X4...X7)
Diagnostic	
Communication status	via LED
Diagnostic via BUS	per module and channel
Diagnostic via LED	per module and channel
Actuator warning	per channel via LED and BUS
Monitoring - under voltage	yes
Monitoring - no voltage	yes
Short-circuit and overload	yes
Cable break	per port
PROFINET	
Specification	V2.3, Conformance Class C (IRT)
Addressing	DCP
FSU (Fast-Start-Up)	max. 500 ms
PROFINET Netload Class	III
MRP	yes
Shared Device	yes, for 2 controls
IO-Link	
Specification	IO-Link Master V1.1.2
Port Class	Class B (not galvanically separated)
IO-Link	4× Master
Transfer parameters	32 Byte (In) 32 Byte (Out) per IO-Link port
Operating modes	COM1; COM2; COM3 (automatic)